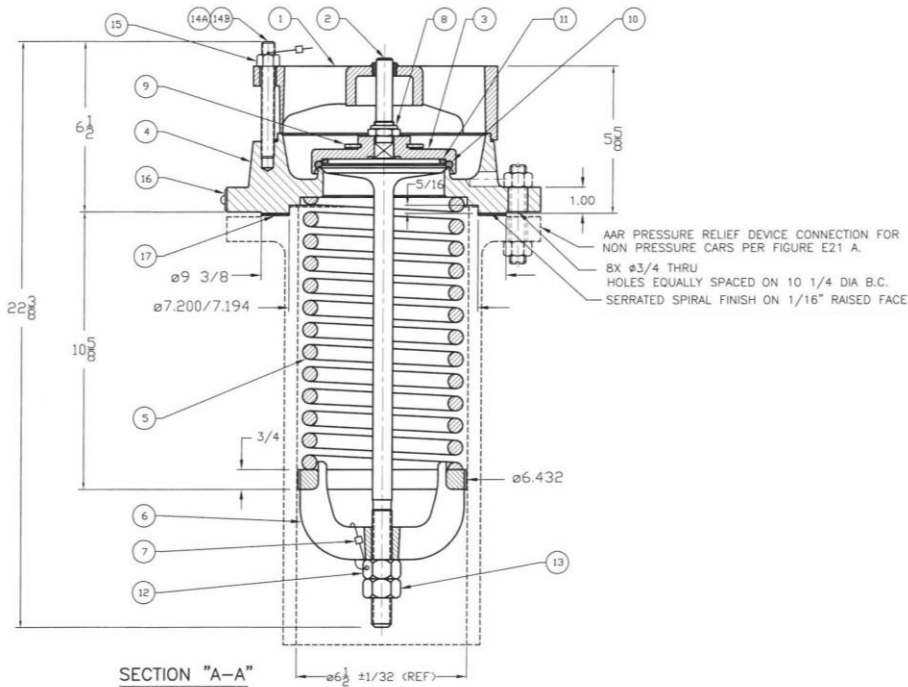
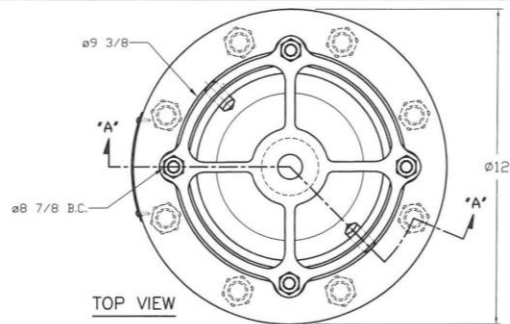


A-2095, A-2099



| ITEM | QTY | PART NAME | A-2095 W/SS TRIM | | A-2099 SS | |
|------|-----|----------------|------------------|-------------------------|-------------|----------------|
| | | | PART NUMBER | MATERIAL | PART NUMBER | MATERIAL |
| 1 | 1 | TOP GUIDE | 23-1-XS | STEEL W/SS INSERT | 23-1-SS | STAINLESS |
| 2 | 1 | STEM | 29-2-SS | STAINLESS | 29-2-SS | STAINLESS |
| 3 | 1 | RETAINER | 29-3-CS | STEEL, PLATED | 29-3-SS | STAINLESS |
| 4 | 1 | BODY | 29-4-CS | STEEL | 29-4-MO | STAINLESS |
| 5 | 1 | SPRING | 29-5-AS | ALLOY STEEL, PLATED (3) | 29-5-SS | STAINLESS |
| 6 | 1 | FOLLOWER | 29-6-CS | STEEL, PLATED (3) | 29-6-SS | STAINLESS |
| 7 | 2 | WIRE SEAL | 22-72-PB | SS/LEAD | 22-72-PB | STAINLESS |
| 8 | 1 | TOP LOCKNUT | 23-8-CS | STEEL, PLATED (3) | 23-8-SS | STAINLESS |
| 9 | 1 | WASHER | 23-9-NE | NEOPRENE (1) | 23-9-NE | NEOPRENE (1) |
| 10 | 1 | SEAT "O" RING | 29-10-BN | BUNA-N (1) | 29-10-BN | BUNA-N (1) |
| 11 | 1 | STEM "O" RING | 29-11-BN | BUNA-N (1) | 29-11-BN | BUNA-A (1) |
| 12 | 1 | ADJUSTMENT NUT | 23-12-CS | STEEL, PLATED (3) | 23-12-SS | STAINLESS |
| 13 | 1 | LOCKNUT | 23-13-CS | STEEL, PLATED (3) | 23-13-SS | STAINLESS |
| 14A | 2 | STUD | 23-14-AS | ALLOY, STEEL | 23-14-SS | STAINLESS |
| 14B | 2 | STUD | 23-141-AS | ALLOY, STEEL | 23-141-SS | STAINLESS |
| 15 | 4 | NUT | 10-15-CS | STEEL | 10-15-SS | STAINLESS |
| 16 | 1 | NAMEPLATE | 25-16-SS | STAINLESS | 20-99-SS | STAINLESS |
| 17 | 1 | GASKET | 27-17-AB | COMP. ASB. (2) | 27-17-AB | COMP. ASB. (2) |

NOTES:

- (1) ALTERNATE MATERIALS AVAILABLE.
- (2) NOT FURNISHED UNLESS REQUESTED.
- (3) STANDARD PLATING FOR GENERAL SERVICE IS ZINC OR CADMIUM. PLATING CAN BE CHANGED OR ELIMINATED PER CUSTOMER'S SPECIFICATIONS.

DIA OF PORT 4.625"

NET FLOW AREA 16.36 SQ. IN.

| VALVE PART NO. | PRESSURE SETTING (PSIG) | FLOW RATE (SCFM AIR) |
|----------------|-------------------------|----------------------|
| A-2095 | 75 | 20,464 |
| A-2099 | 75 | 20,555 |

AAR PRD122006