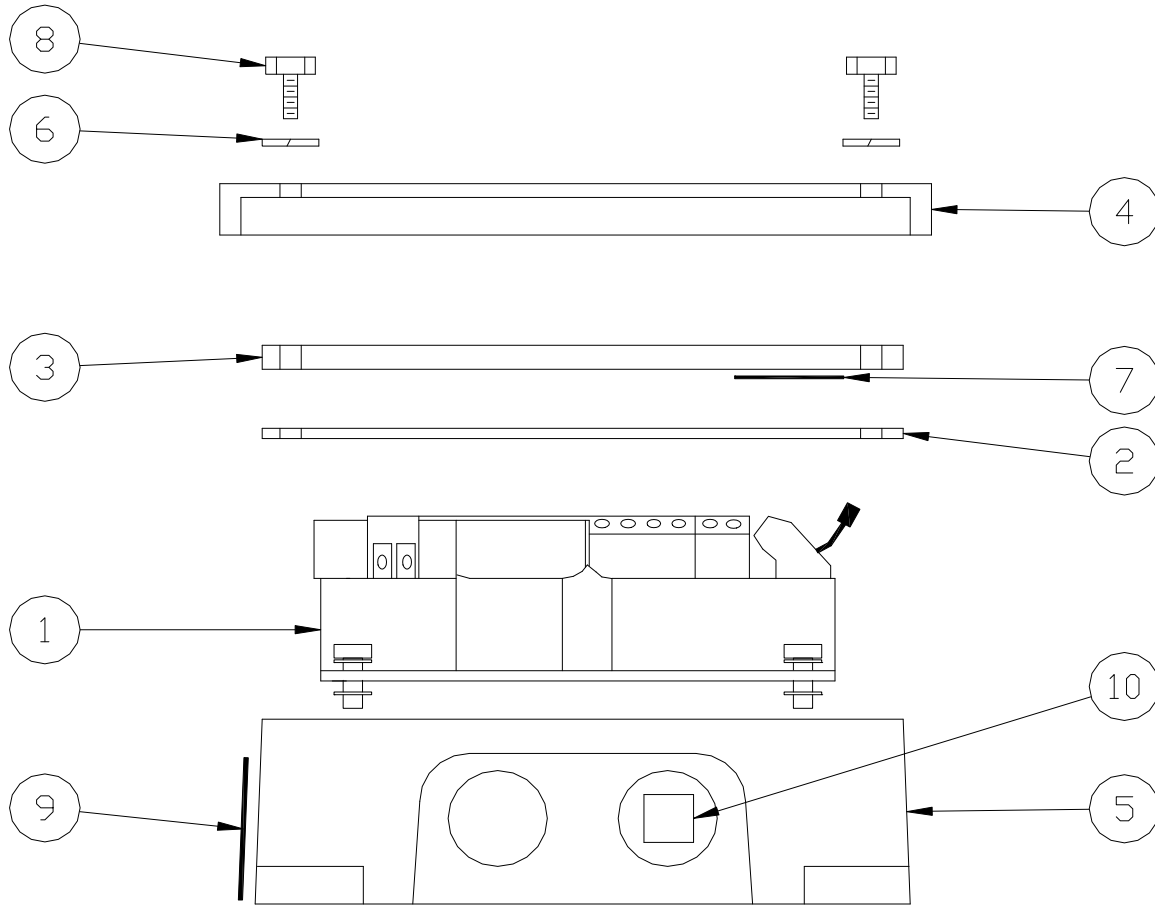




3202-3202 ROM II On Board Monitor



ITEM	PART NUMBER	DESCRIPTION	QTY.
1	3252-3252	ASSY. MODULE	1
2	C40015M ^{1,2}	GASKET	1
3	C51426M ^{1,2}	WINDOW	1
4	C40104APC ^{1,2}	COVER	1
5	D40006APC ¹	BASE	1
6	H50086M ^{1,2}	LOCK WASHER, 1/4"	6
7	C51503M ²	LABEL, TECH ASSISTANCE	1

ITEM	PART NUMBER	DESCRIPTION	QTY.
8	9541 ^{1,2}	SCREW, 1/4-20 1"	6
9	H51425M	NAME PLATE	1
10	H51916M ¹	BLACK PLUG, 1/2" NPT	4

REPAIR KITS	
3202-KIT	HOUSING KIT
H50194	WINDOW ENCLOSURE REPAIR KIT

1 - Included in 3252-3252, 2 - Included in H50194