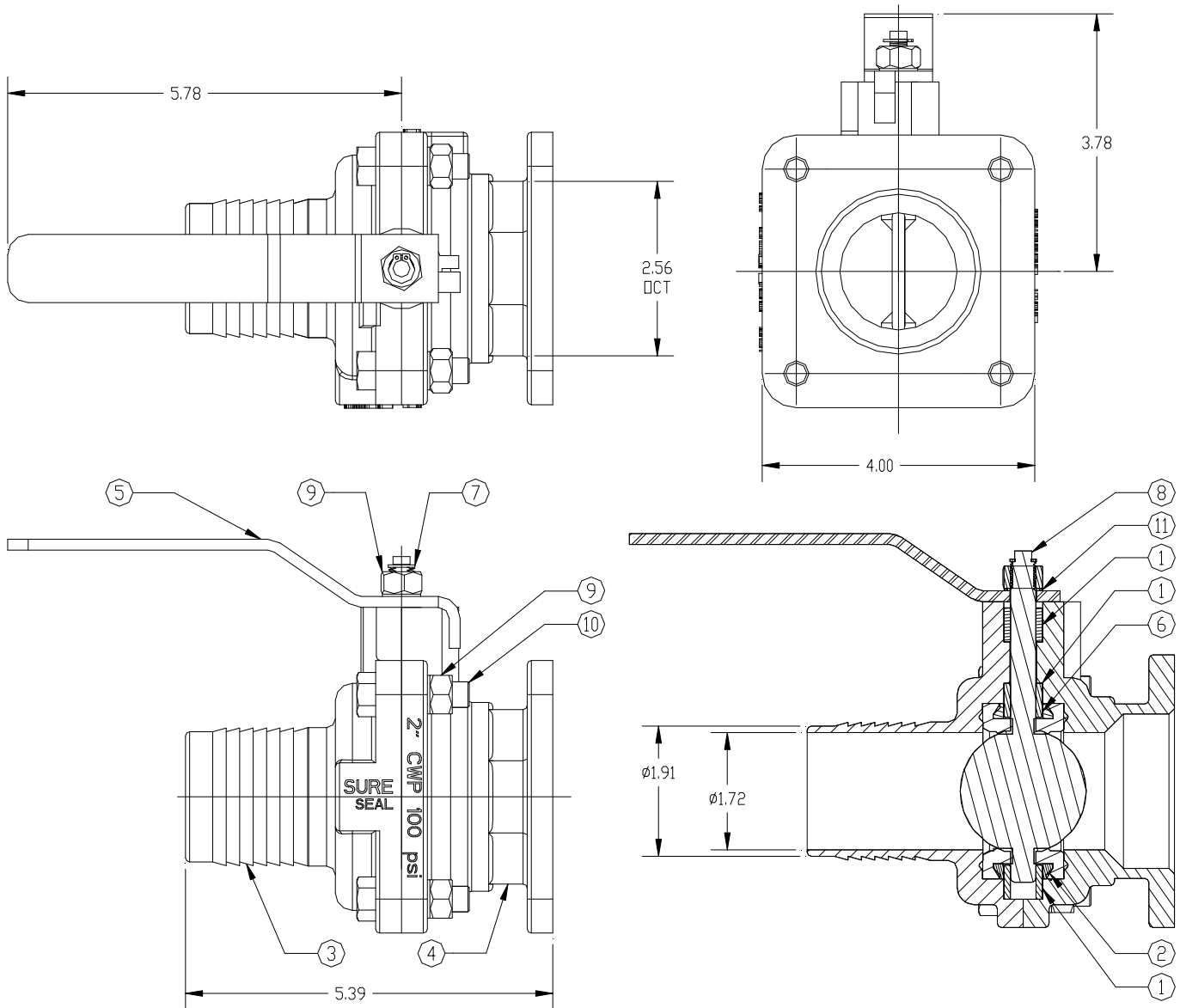


2-ABV-HB-FL Butterfly Valve



ITEM	PART NUMBER	DESCRIPTION	QTY.
1	1-1.5-TB	BUSHING	3
2	1.5-899-892561	O-RING, WHITE SILICONE	1
3	2-ABV-BODY-2	HOSE BARB BODY	1
4	2-ABV-BODY-5	FLANGE BODY	1
5	2-ABV-HDL	HANDLE	1
6	2-ABV-SEAT-RING	SEAT RING, POLYPRO	2

ITEM	PART NUMBER	DESCRIPTION	QTY.
7	2-ABV-STEM-RING	SNAP RING	1
8	2-ABV-STM	DISC/STEM	1
9	1114	NUT, 3/8-16	5
10	H52108M	SCREW, 3/8-16 x 1-3/8"	4
11	H52109M	LOCK WASHER, 3/8"	5