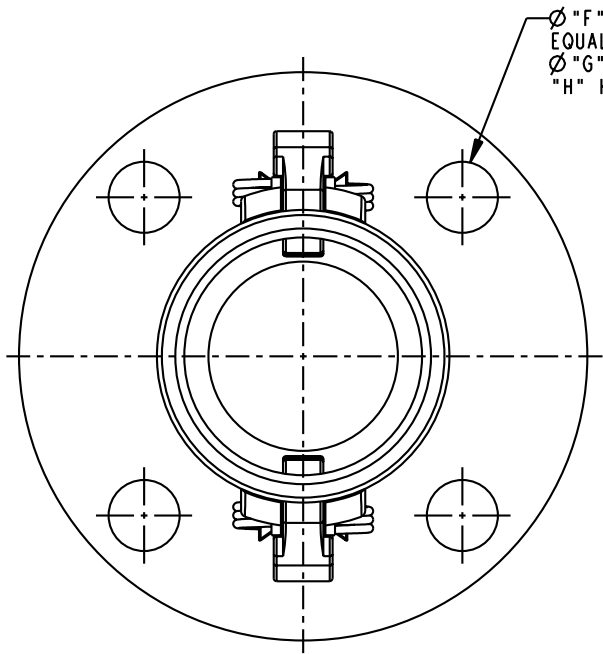
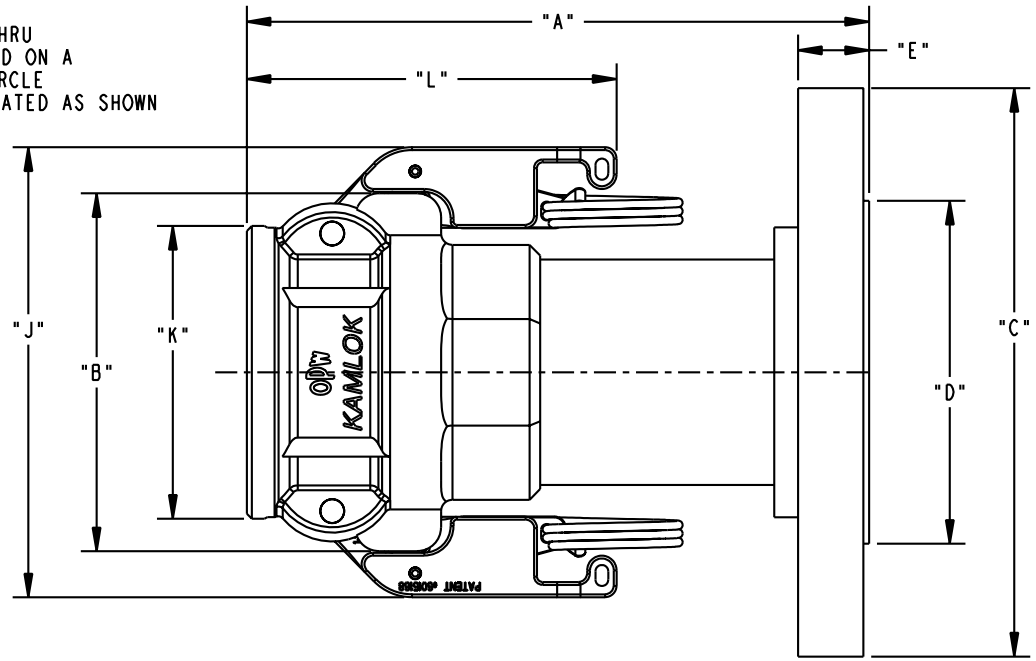


THIS DRAWING IS NOT TO BE SCALED. FOR ADDITIONAL INFORMATION. PLEASE CONTACT OUR ENGINEERING DEPT.

REVISIONS					
LTR	ECN #	DESCRIPTION	DRAWN	APPROVED	DATE
A	41367	UPDATED DIMS FOR REVISED ARMS	JPR	NAC	05-22-03



Ø "F" HOLES THRU EQUALLY SPACED ON A Ø "G" BOLT CIRCLE "H" HOLES LOCATED AS SHOWN



4" 733LDS	7.31	6.25	9.00	6.19	0.94	0.75	7.50	8	7.16	5.53	4.22
3" 733LDS	7.06	5.14	7.50	5.00	0.94	0.75	6.00	4	6.06	4.31	4.22
2-1/2" 733LDS	6.84	4.25	7.00	4.12	0.88	0.75	5.50	4	5.22	3.50	3.98
2" 733LDS	6.62	3.78	6.00	3.62	0.75	0.75	4.75	4	4.75	3.09	3.91
1-1/2" 733LDS	6.41	3.41	5.00	2.88	0.69	0.62	3.88	4	4.38	2.59	3.78
1" 733LDS	5.03	2.50	4.25	2.00	0.56	0.62	3.12	4	3.41	1.86	2.56
COUPLER SIZE	"A"	"B"	"C"	"D"	"E"	"F"	"G"	"H"	"J"	"K"	"L"

CONFIDENTIAL THIS DOCUMENT CONTAINS INFORMATION WHICH IS PROPRIETARY TO OPW, AND SHOULD BE PROTECTED ACCORDINGLY.

DESCRIPTION: SST AUTOLOK COUPLER 150# FLANGE

UNLESS OTHERWISE SPECIFIED
 TOLERANCES ON DIMENSIONS
 3 DECIMALS +/- 0.005
 2 DECIMALS +/- 0.015
 1 DECIMAL +/- 0.030
 ANGLES +/- 1/2 DEG
 MACHINED SURFACES 125 RMS MAX

SIGNATURES
 DRAWN: JPR
 CHECKED: NAC
 MATERIAL: 316 SST

MO-DA-YR
 04-10-02
 04-17-02
 WEIGHT: -

REV: A
 SIZE: C
 PART NUMBER: 733LDS
 SCALE: NTS SHEET 1 OF 1

OPW Engineered Systems
 A DOVER Resources Company
 Lebanon, Ohio 45036 USA
 3D GENERATED DRAWING