

A

B

C

D

THIS DRAWING IS NOT TO BE SCALED. FOR ADDITIONAL INFORMATION, PLEASE CONTACT OUR ENGINEERING DEPT.

REVISIONS					
LTR	ECN #	DESCRIPTION	DRAWN	APPROVED	DATE
REL	-	-	JPR		08-09-01

1

2

3

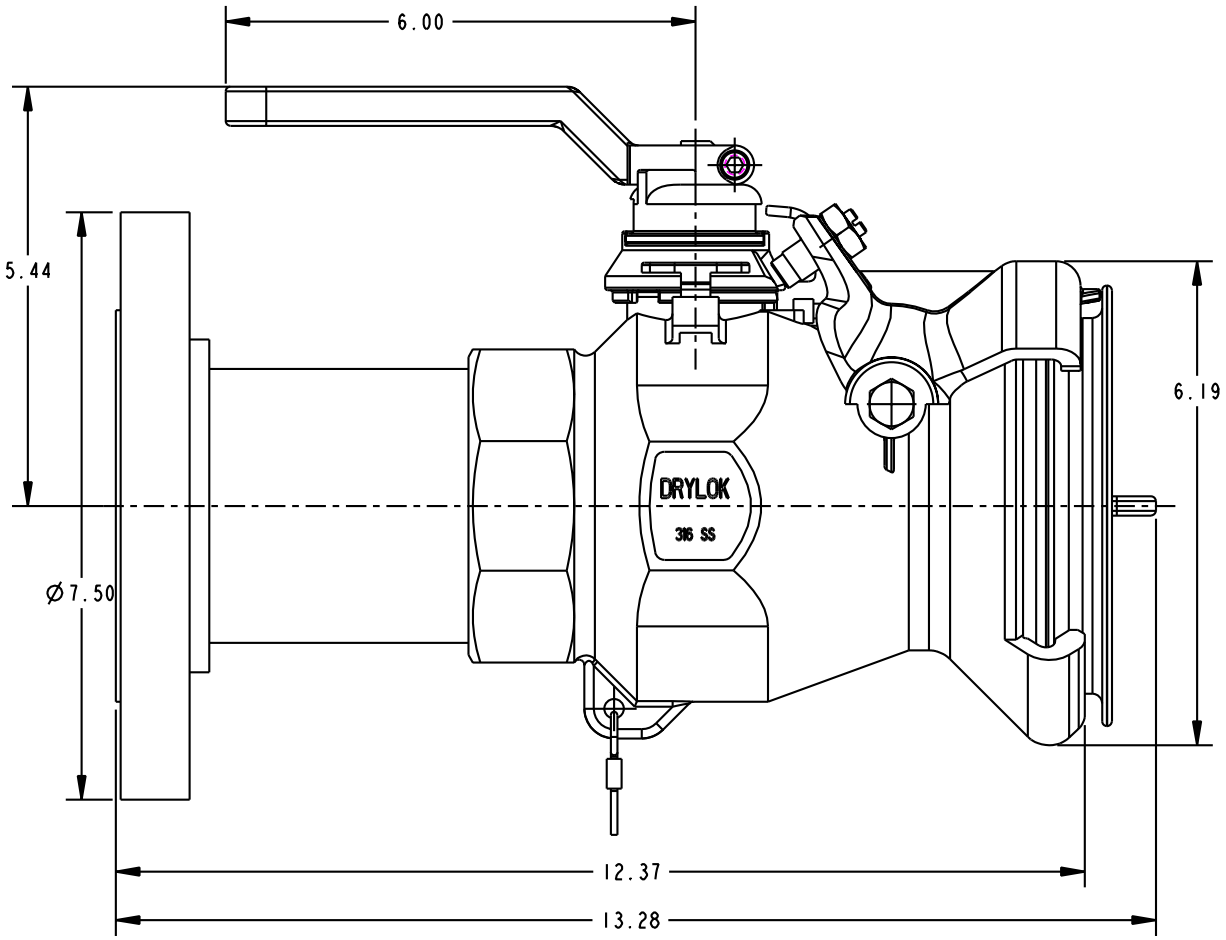
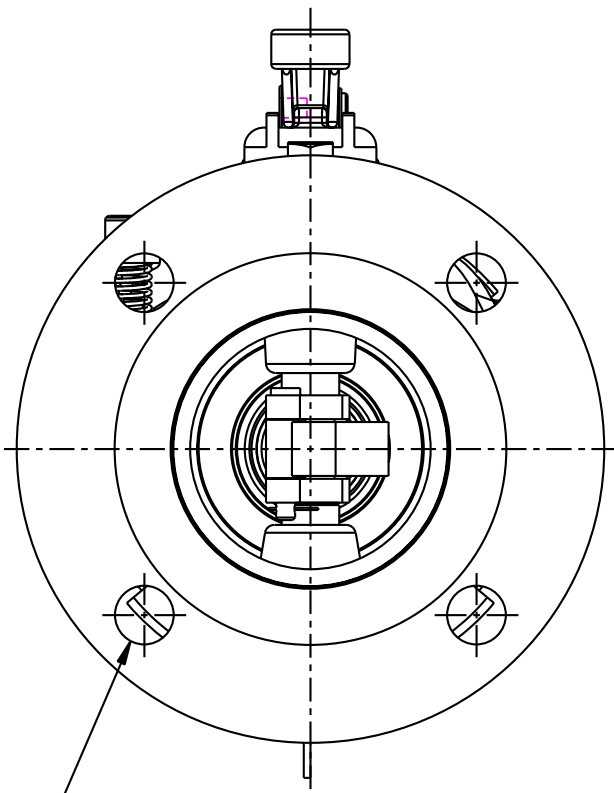
4

1

2

3

4



(4) Ø .75 HOLES EQUALLY SPACED ON A Ø6.00 B.C.

CONFIDENTIAL THIS DOCUMENT CONTAINS INFORMATION WHICH IS PROPRIETARY TO OPW, AND SHOULD BE PROTECTED ACCORDINGLY.		DESCRIPTION: 3" DRYLOK COUPLER, SST, 150#FLG	
UNLESS OTHERWISE SPECIFIED TOLERANCES ON DIMENSIONS 3 DECIMALS +/- 0.005 2 DECIMALS +/- 0.015 1 DECIMAL +/- 0.030 ANGLES +/- 1/2 DEG MACHINED SURFACES 125 RMS MAX		SIGNATURES DRAWN: JPR CHECKED: - MATERIAL: 316 SST	MO-DA-YR 12-04-02 - WEIGHT: -
		REV: REL SIZE: C	PART NUMBER: 5770-730A SCALE: 0.62
		Engineered Systems A DOVER Resources Company Lebanon, Ohio 45036 USA 3D GENERATED DRAWING	

A

B

C

D