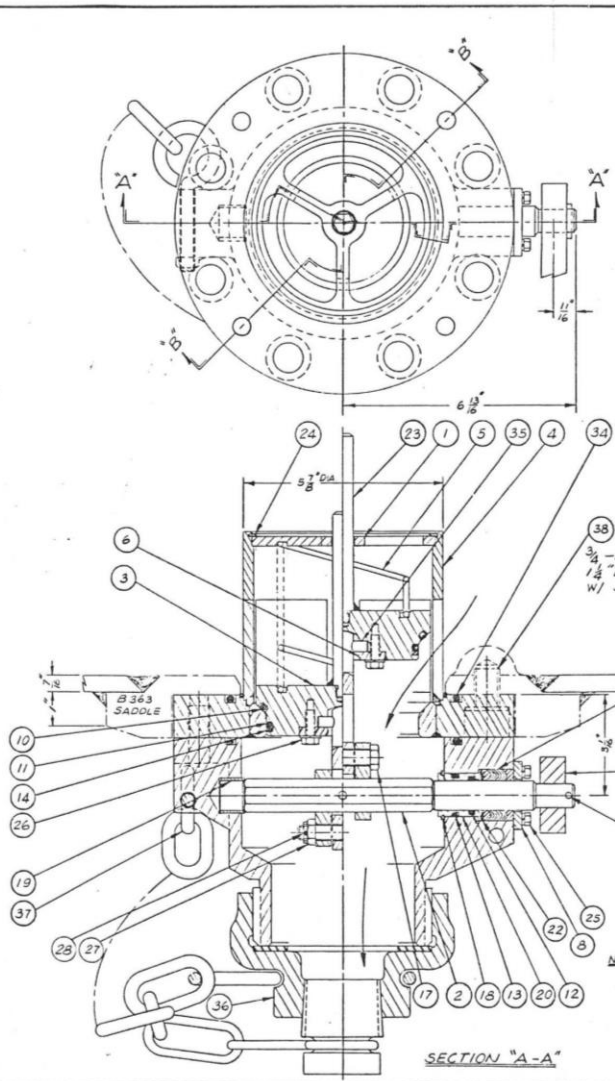


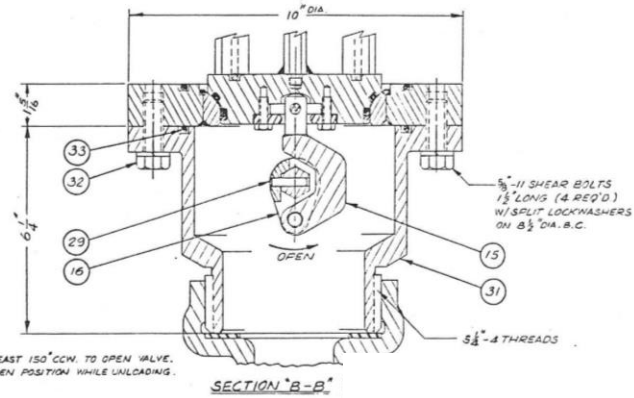
A-549-XS



ITEM NO.	QTY	PART NAME	MATERIAL	FINISH	REF. NO.
1	1	TOP GUIDE	STAINLESS STEEL	549-1-SS	
2	1	SHAFT	STAINLESS STEEL	545-2-SS	
3	1	GASKET RETAINER	STAINLESS STEEL	549-3-SS	
4	1	BODY	STAINLESS STEEL	549-4-SS	
5	1	SPRING	STAINLESS STEEL	549-5-SS	
6	1	RETAINER COVER	STEEL, PLT.	549-6-CS	
7	1	HANDLE	STEEL	549-7-CS	
8	1	PACKING FLANGE	STEEL, PLT.	545-8-CS	
10	1	SEAT O-RING	BUNA N *	545-10-BN	
11	1	BORE O-RING	BUNA N *	545-11-BN	
12	1	SHAFT O-RING	BUNA N *	545-12-BN	
13	1	BUSHING O-RING	BUNA N *	545-13-BN	
14	1	INNER RING	PTFE	545-14-TP	
15	1	CAM LEVER	STAINLESS STEEL	549-15-SS	
16	1	CAM	STAINLESS STEEL	545-16-SS	
17	1	CAM BOLT	STAINLESS STEEL	547-17-SS	
18	1	RETAINER RING	STAINLESS STEEL	545-18-SS	
19	1	SHAFT BUSHING	STAINLESS STEEL	545-19-SS	
20	1	PACKING BUSHING	STAINLESS STEEL	545-20-SS	
21	1	PACKING SET	PTFE	549-21-TP	
22	1	PACKING SPRING	STAINLESS STEEL	549-22-SS	
23	1	SLIDE STEM	STAINLESS STEEL	545-23-SS	
24	1	RETAINER RING	STAINLESS STEEL	549-24-SS	
25	4	PACKING BOLT, LKN	STAINLESS STEEL	545-25-SS	
26	4	RETAINER BOLT, LKN	STAINLESS STEEL	545-26-SS	
27	1	CAM STEM NUT	STEEL, PLT.	545-27-CS	
28	1	CAM STEM PIN	STAINLESS STEEL	545-28-SS	
29	1	CAM PIN	STAINLESS STEEL	545-29-SS	
30	1	HANDLE PIN	STAINLESS STEEL	545-30-SS	
31	1	BASE	MALLEABLE IRON	549-31-MI	
32	4	BASE BOLT, LKN	STEEL	547-32-CS	
33	1	BASE O-RING	BUNA N *	547-33-BN	
34	1	BODY O-RING	BUNA N *	547-33-BN	
35	1	RING	STAINLESS STEEL	549-35-SS	
36	1	CAP ASM.	WAL./DUCT. IRON	35-DI	
37	1	EYEBOLT, MUT, LKN	STEEL	549-37-CS	
38	8	BODY BOLT, LKN	STEEL, PLT.	363-2-AS	

* ALTERNATES AVAILABLE

3/8" -10 HEX SOCKET CAPSCREWS
1 1/4" LONG (8 REQ'D)
W/ SPLIT LOCKWASHERS ON 3/8" DIA. B.C.



3/8"-11 SHEAR BOLTS
1 1/2" LONG (4 REQ'D)
W/ SPLIT LOCKWASHERS
ON 3/8" DIA. B.C.

NOTE:
ROTATE SHAFT AT LEAST 150° CCW TO OPEN VALVE.
SECURE HANDLE IN OPEN POSITION WHILE UNLOADING.