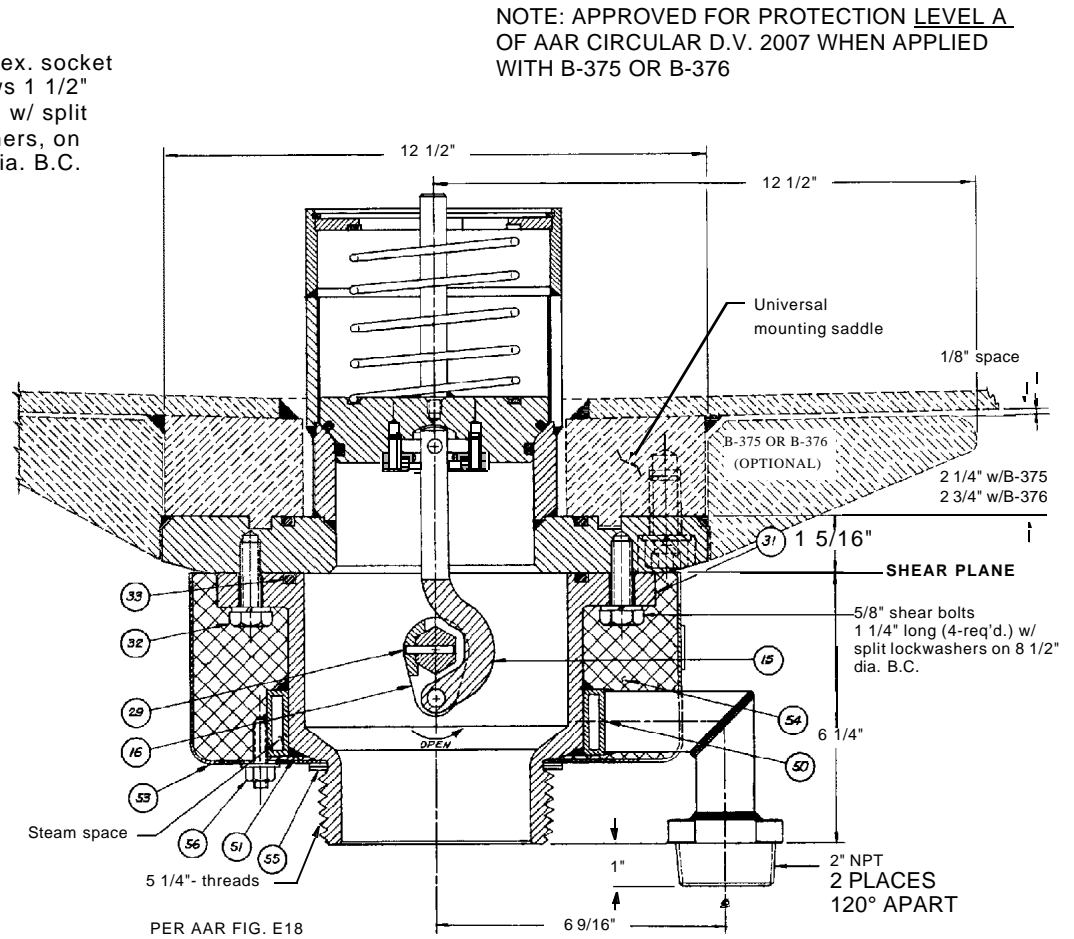
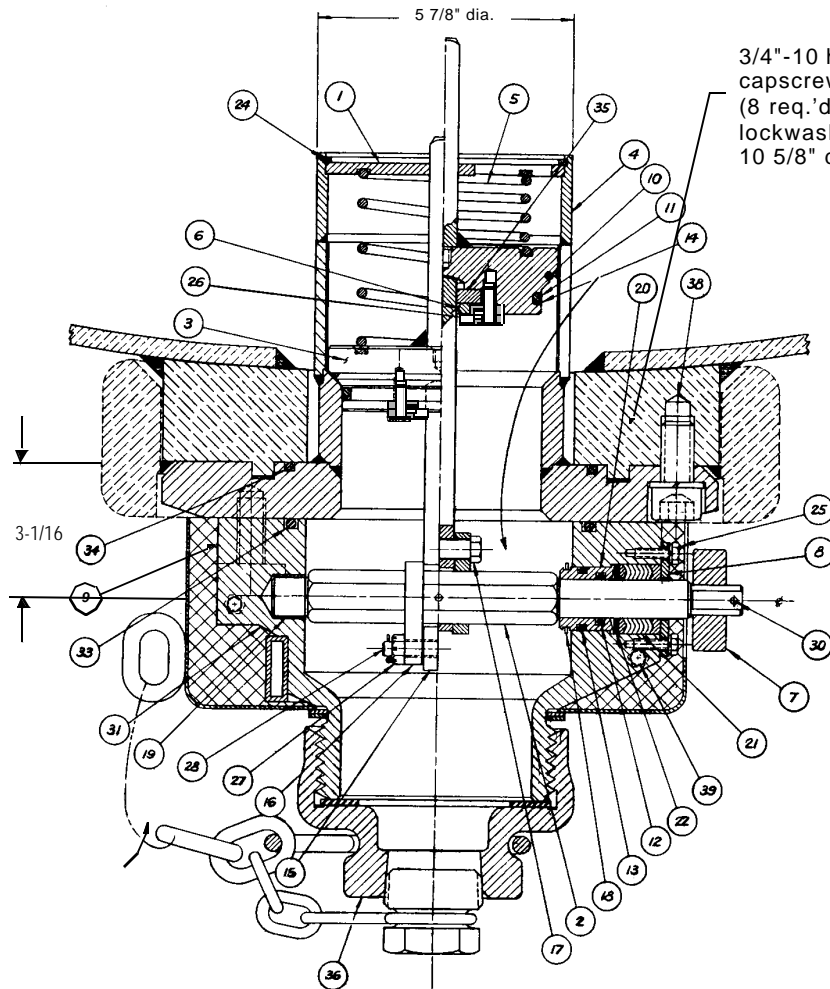


**BOTTOM EQUIPMENT
OUTLET VALVE - UNIVERSAL FLANGE
STEAM JACKETED - INSULATED**

**A-548-CS-SJI, A-548-XS-SJI,
A-548-SS-SJI, A-548-MO-SJI**



PATENT 5,342,026



TO PLACE AN ORDER, OR JUST ASK A QUESTION, CALL (847) 677 - 0333 OR FAX (847) 677 - 0138

REVISION 4.0

2/12/04



TO PLACE AN ORDER, OR JUST ASK A QUESTION, CALL (847) 677 - 0333 OR FAX (847) 677 - 0138

REVISION 4.0

3/30/04

ITEM NO.	QUANTITY	PART NAME	A-548-CS-SJI (CARBON STEEL/SS TRIM)		A-548-XS-SJI(CS/ SS TRIM & CAGE)		A-548-SS-SJI (TYPE 304 SS)		A-548-MO-SJI (TYPE 316 SS)	
			MATERIAL	PART NO.	MATERIAL	PART NO.	MATERIAL	PART NO.	MATERIAL	PART NO.
1	1	TOP GUIDE	STEEL	549-1-CS	STAINLESS	549-1-SS	STAINLESS	549-1-SS	STAINLESS	549-1-MO
2	1	SHAFT	STAINLESS	545-2-SS	STAINLESS	545-2-SS	STAINLESS	545-2-SS	STAINLESS	545-2-SS
3	1	RETAINER ASM	STAINLESS	549-3-SS	STAINLESS	549-3-SS	STAINLESS	549-3-SS	STAINLESS	549-3-MO
4	1	BODY	STEEL/ SS SEAT	548-4-CS	STEEL/ SS SEAT, CAGE	548-4-XS	STAINLESS	548-4-SS	STAINLESS	548-4-MO
5	1	SPRING	STAINLESS	545-5-SS	STAINLESS	545-5-SS	STAINLESS	545-5-SS	STAINLESS	539-5-MO
6	1	RETAINER COVER ASM	STAINLESS	549-61-SS	STAINLESS	549-61-SS	STAINLESS	549-61-SS	STAINLESS	549-61-MO
7	1	HANDLE	STEEL	549-7-CS ⁽²⁾	STEEL	549-7-CS ⁽²⁾	STEEL	549-7-CS ⁽²⁾	STEEL	549-7-CS ⁽²⁾
8	1	PACKING FLANGE	STEEL, PLATED	549-8-CS	STEEL, PLATED	549-8-CS	STEEL, PLATED	549-8-CS	STEEL, PLATED	549-8-CS
9	1	NAMEPLATE	STAINLESS	548-9-SS	STAINLESS	548-9-SS	STAINLESS	548-9-SS	STAINLESS	548-9-SS
10	1	SEAT *O* RING	BUNA-N ⁽¹⁾	545-10-BN	BUNA-N ⁽¹⁾	545-10-BN	BUNA-N ⁽¹⁾	545-10-BN	BUNA-N ⁽¹⁾	545-10-BN
11	1	BORE *O* RING	BUNA-N ⁽¹⁾	545-11-BN	BUNA-N ⁽¹⁾	545-11-BN	BUNA-N ⁽¹⁾	545-11-BN	BUNA-N ⁽¹⁾	545-11-BN
12	1	SHAFT *O* RING	BUNA-N ⁽¹⁾	545-12-BN	BUNA-N ⁽¹⁾	545-12-BN	BUNA-N ⁽¹⁾	545-12-BN	BUNA-N ⁽¹⁾	545-12-BN
13	1	BUSHING *O* RING	BUNA-N ⁽¹⁾	545-13-BN	BUNA-N ⁽¹⁾	545-13-BN	BUNA-N ⁽¹⁾	545-13-BN	BUNA-N ⁽¹⁾	545-13-BN
14	1	WIPER RING	PTFE	545-14-TF	PTFE	545-14-TF	PTFE	545-14-TF	PTFE	545-14-TF
15	1	CAM LEVER	STAINLESS	548-15-SS	STAINLESS	548-15-SS	STAINLESS	548-15-SS	STAINLESS	548-15-SS
16	1	CAM	STAINLESS	545-16-SS	STAINLESS	545-16-SS	STAINLESS	545-16-SS	STAINLESS	545-16-SS
17	1	CAM BOLT	STAINLESS	545-17-N60	STAINLESS	545-17-N60	STAINLESS	545-17-N60	STAINLESS	545-17-N60
18	1	RETAINER RING	STAINLESS	545-18-SS	STAINLESS	545-18-SS	STAINLESS	545-18-SS	STAINLESS	545-18-SS
19	1	SHAFT BUSHING	STAINLESS	545-19-N60	STAINLESS	545-19-N60	STAINLESS	545-19-N60	STAINLESS	545-19-N60
20	1	PACKING BUSHING	STAINLESS	545-20-N60	STAINLESS	545-20-N60	STAINLESS	545-20-N60	STAINLESS	545-20-N60
21	1	PACKING SET	PTFE	549-21-TF	PTFE	549-21-TF	PTFE	549-21-TF	PTFE	549-21-TF
22	1	PACKING SPRING	STAINLESS	549-22-SS	STAINLESS	549-22-SS	STAINLESS	549-22-SS	STAINLESS	549-22-SS
23										
24	1	RETAINER RING	STAINLESS	549-24-SS	STAINLESS	549-24-SS	STAINLESS	549-24-SS	STAINLESS	549-24-MO
25	4	PACKING BOLT, LKW	STAINLESS	545-25-MO	STAINLESS	545-25-MO	STAINLESS	545-25-MO	STAINLESS	545-25-MO
26	4	RETAINER BOLT, LKW	STAINLESS	545-26-MO	STAINLESS	545-26-MO	STAINLESS	545-26-MO	STAINLESS	545-26-MO
27	1	CAM BOLT NUT	STEEL, PLATED	545-27-CS	STEEL, PLATED	545-27-CS	STAINLESS	545-27-SS	STAINLESS	545-27-MO
28	1	CAM BOLT PIN	STAINLESS	545-28-SS	STAINLESS	545-28-SS	STAINLESS	545-28-SS	STAINLESS	545-28-MO
29	1	CAM PIN	STAINLESS	545-29-MO	STAINLESS	545-29-MO	STAINLESS	545-29-MO	STAINLESS	545-29-MO
30	1	HANDLE PIN	STAINLESS	545-30-SS	STAINLESS	545-30-SS	STAINLESS	545-30-SS	STAINLESS	545-30-SS
31	1	BASE	DUCTILE IRON	549-31-DI	DUCTILE IRON	549-31-DI	STAINLESS	549-31-SS	STAINLESS	549-31-MO
32	4	BASE BOLT, LOCKWASHER	STEEL, PLATED	547-32-CS	STEEL, PLATED	547-32-CS	STEEL, PLATED	547-32-CS	STEEL, PLATED	547-32-CS
33	1	BASE *O* RING	BUNA-N ⁽¹⁾	547-33-BN	BUNA-N ⁽¹⁾	547-33-BN	BUNA-N ⁽¹⁾	547-33-BN	BUNA-N ⁽¹⁾	547-33-BN
34	1	BODY GASKET	BUNA-N ⁽¹⁾	547-33-BN	BUNA-N ⁽¹⁾	547-33-BN	BUNA-N ⁽¹⁾	537-33-BN	BUNA-N ⁽¹⁾	538-34-BN
35	1	PIN	STAINLESS	549-35-N60	STAINLESS	549-35-N60	STAINLESS	549-35-N60	STAINLESS	549-35-N60
36	1	CAP ASSEMBLY	DUCTILE IRON	55-DI	DUCTILE IRON	55-DI	STAINLESS	55-SS	STAINLESS	55-MO
37										
38	8	BODY BOLT, LKW	STEEL ⁽¹⁾ , PLATED	375-2-AS	STEEL ⁽¹⁾ , PLATED	375-2-AS	STEEL ⁽¹⁾ , PLATED	375-2-AS	STEEL ⁽¹⁾ , PLATED	375-2-AS
50	1	STEAM JACKET ASSEMBLY	STEEL	549-50-CS	STEEL	549-50-CS	STEEL	549-50-CS	STEEL	549-50-CS
51	8 OZ.	HEAT TRANSFER CEMENT	CEMENT	549-51	CEMENT	549-51	CEMENT	549-51	CEMENT	549-51
52	1	BOLT, NUT, LKW	STEEL	549-52-CS	STEEL	549-52-CS	STEEL	549-52-CS	STEEL	549-52-CS
53	1	INSULATION JACKET	ALUMINUM	549-53-AL	ALUMINUM	549-53-AL	ALUMINUM	549-53-AL	ALUMINUM	549-53-AL
54	200 CU. IN.	INSULATION	MINERAL WOOL ⁽¹⁾	549-54	MINERAL WOOL ⁽¹⁾	549-54	MINERAL WOOL ⁽¹⁾	549-54	MINERAL WOOL ⁽¹⁾	549-54
55	1	SPIRAL RING	STAINLESS	549-55-SS	STAINLESS	549-55-SS	STAINLESS	549-55-SS	STAINLESS	549-55-SS
56	2	NUT, WASHER, LOCKWASHER	STEEL	549-56-CS	STEEL	549-56-CS	STEEL	549-56-SS	STEEL	549-56-CS

NOTE: 1 Alternate material available. 2 Alternate handle shapes available.

Page 57

BOTTOM EQUIPMENT

A-548-CS-SJI, A-548-XS-SJI

OUTLET VALVE - UNIVERSAL FLANGE
STEAM JACKETED - INSULATED

A-548-SS-SJI, A-548-MO-SJI

© 2003 Midland Manufacturing Corp.

All designs subject to change without notice. Installation dimensions and mounting arrangements are for general information. Certified drawings are available upon request.

BOTTOM EQUIPMENT