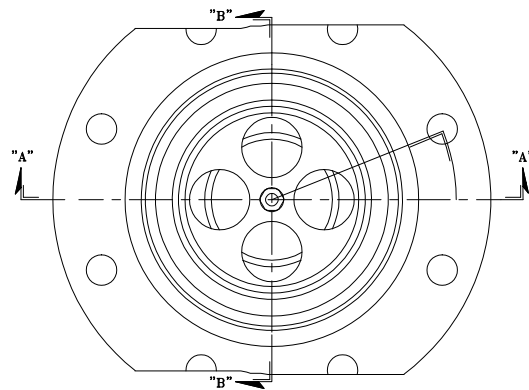
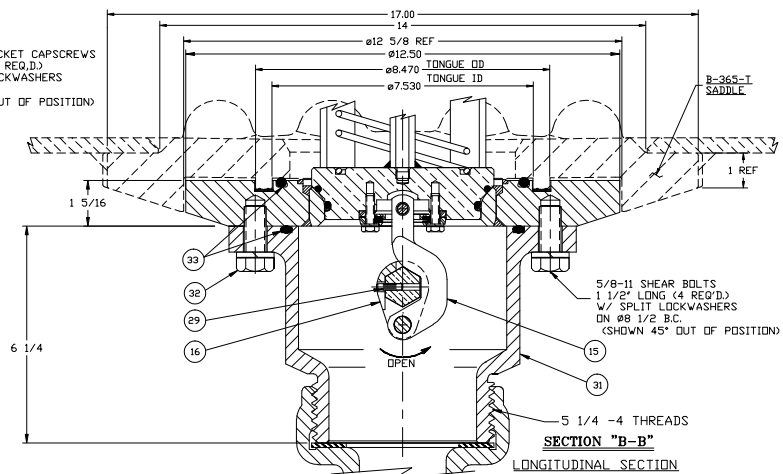
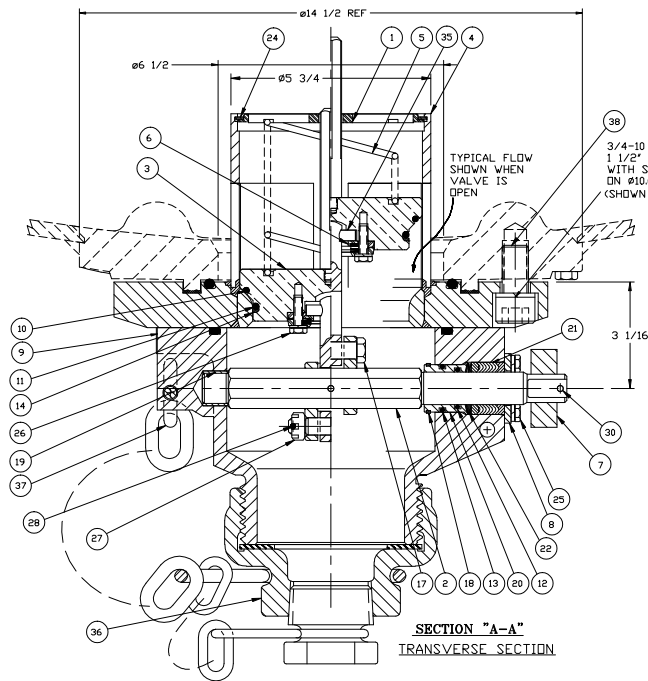


Model A-542

4" Bottom Outlet Plug Valve



Dashed items are shown for mounting reference only



Model A-542

4" Bottom Outlet Plug Valve

Item	Qty	Part Name	A-542-CS (CS/SS TRIM)		A-542-SS (TYPE 304 SS)		A-542-MO (TYPE 316 SS)	
			Material	Part No.	Material	Part No.	Material	Part No.
1	1	Top Guide	Steel	549-1-CS	Stainless Steel	549-1-SS	Stainless Steel	549-1-MO
2	1	Shaft	Stainless Steel	545-2-SS	Stainless Steel	545-2-SS	Stainless Steel	545-2-SS
3	1	Gasket Retainer Assembly	Stainless Steel	549-3-SS	Stainless Steel	549-3-SS	Stainless Steel	549-3-MO
4	1	Body	Steel/SS Insert	542-4-CS	Stainless Steel	542-4-SS	Stainless Steel	542-4-MO
5	1	Spring	Stainless Steel	545-5-SS	Stainless Steel	545-5-SS	Stainless Steel	545-5-MO
6	1	Retainer Cover Assembly	Stainless Steel	549-61-SS	Stainless Steel	549-61-SS	Stainless Steel	549-61-SS
7	1	Handle	Steel	549-7*-CS	Steel	549-7*-CS	Steel	549-7*-CS
8	1	Packing Flange	Steel, Plated	549-8-CS	Steel, Plated	549-8-CS	Steel, Plated	549-8-CS
9	1	Nameplate	Stainless Steel	542-9-SS	Stainless Steel	542-9-SS	Stainless Steel	542-9-SS
10	1	Seat "O" Ring	Buna N*	545-10-BN	Buna N*	545-10-BN	Buna N*	545-10-BN
11	1	Bore "O" Ring	Buna N*	545-11-BN	Buna N*	545-11-BN	Buna N*	545-11-BN
12	1	Shaft "O" Ring	Buna N*	545-12-BN	Buna N*	545-12-BN	Buna N*	545-12-BN
13	1	Bushing "O" Ring	Buna N*	545-13-BN	Buna N*	545-13-BN	Buna N*	545-13-BN
14	1	Wiper Ring	PTFE	545-14-TF	PTFE	545-14-TF	PTFE	545-14-TF
15	1	Cam Lever	Stainless Steel	549-15-SS	Stainless Steel	549-15-SS	Stainless Steel	549-15-SS
16	1	Cam	Stainless Steel	545-16-SS	Stainless Steel	545-16-SS	Stainless Steel	545-16-SS
17	1	Cam Bolt	Stainless Steel	545-17-N60	Stainless Steel	545-17-N60	Stainless Steel	545-17-N60
18	1	Retainer Ring	Stainless Steel	545-18-MO	Stainless Steel	545-18-MO	Stainless Steel	545-18-MO
19	1	Shaft Bushing	Stainless Steel	545-19-N60	Stainless Steel	545-19-N60	Stainless Steel	545-19-N60
20	1	Packing Bushing	Stainless Steel	545-20-N60	Stainless Steel	545-20-N60	Stainless Steel	545-20-N60
21	1	Packing Set	PTFE	549-21-TF	PTFE	549-21-TF	PTFE	549-21-TF
22	1	Packing Spring	Stainless Steel	549-22-SS	Stainless Steel	549-22-SS	Stainless Steel	549-22-SS
23	-	-	-	-	-	-	-	-
24	1	Retainer Ring	Stainless Steel	549-24-SS	Stainless Steel	549-24-SS	Stainless Steel	549-24-MO
25	4	Packing Bolt	Stainless Steel	545-251-MO	Stainless Steel	545-251-MO	Stainless Steel	545-251-MO
	4	Packing Lock Washer	Stainless Steel	545-252-MO	Stainless Steel	545-252-MO	Stainless Steel	545-252-MO
26	4	Retainer Bolt, Lock Washer	Stainless Steel	545-261-MO	Stainless Steel	545-261-MO	Stainless Steel	545-261-MO
	4	Retainer Bolt, Lock Washer	Stainless Steel	545-252-MO	Stainless Steel	545-252-MO	Stainless Steel	545-252-MO
27	1	Cam Stem Nut	Steel, Plated	720-20-CS	Stainless Steel	724-20-SS	Stainless Steel	724-20-MO
28	1	Cam Stem Pin	Stainless Steel	545-28-SS	Stainless Steel	545-28-SS	Stainless Steel	545-28-SS
29	1	Cam Pin	Stainless Steel	545-29-MO	Stainless Steel	545-29-MO	Stainless Steel	545-29-MO
30	1	Handle Pin	Stainless Steel	545-30-SS	Stainless Steel	545-30-SS	Stainless Steel	545-30-SS
31	1	Base	Ductile Iron	549-31-DI	Stainless Steel	549-31-MO	Stainless Steel	549-31-MO
32	4	Base Bolt	Steel	547-321-CS	Steel	547-321-CS	Steel	547-321-CS
	4	Base Lock Washer	Steel	547-322-CS	Steel	547-322-CS	Steel	547-322-CS
33	2	Base "O" Ring	Buna N*	547-33-BN	Buna N*	547-33-BN	Buna N*	547-33-BN
34	-	-	-	-	-	-	-	-
35	1	Pin	Stainless Steel	549-35-N60	Stainless Steel	549-35-N60	Stainless Steel	549-35-N60
36	1	Cap Assembly	Mall/Ductile Iron	55-DI	Stainless Steel	55-MO	Stainless Steel	55-MO
37	1	Eyebolt, Nut, Lock Washer	Steel	549-37-CS	Steel	549-37-CS	Steel	549-37-CS
38	8	Body Bolt	Steel*, Plated	375-22-AS	Steel*, Plated	375-22-AS	Steel	375-22-AS
	8	Body Lock Washer	Steel, Plated	363-21-AS	Steel, Plated	363-21-AS	Steel	363-21-AS

Notes:

1. Rotate shaft at least 150° CCW to open valve. Secure handle in open position while unloading
2. Approved for protection level A of AAR circular D.V. 2007 and M1002 Appendix E, paragraph 10.1.1
3. *Alternate available
4. AAR approval #E122015

NOTE: (*) - Alternate Materials Are Available