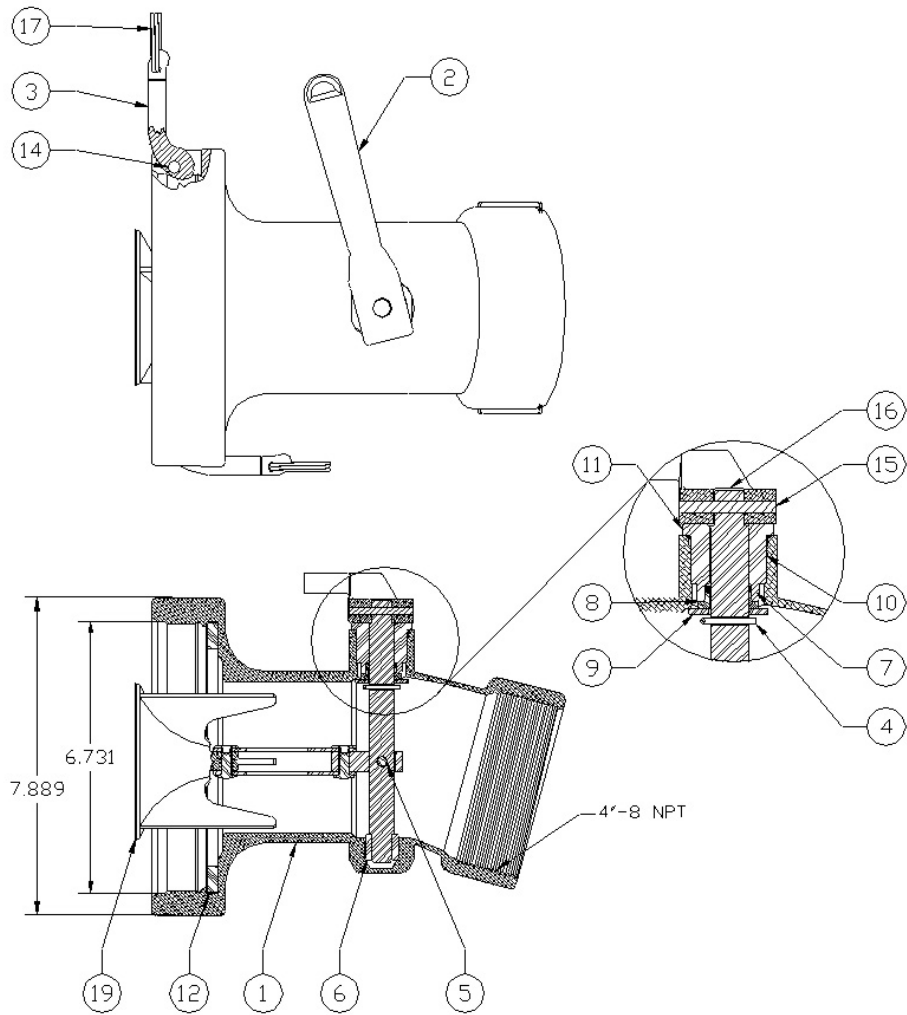


871ED-AL40 4" Gravity Coupler

01-02-007RP



ITEM	PART NUMBER	DESCRIPTION	QTY
1	E00227A	BODY, MACHINED	1
2	C10116DI	LEVER	1
3	12629	CAM ARM	2
4	H01186M	COTTER PIN	1
5	H04139M	PIN	1
6	H06111RP	BUSHING	1
7	H06121RP	SHAFT RETAINER	1
8	H06281M	O-RING, BUNA-N	1
9	H06364M	WASHER	1
10	H07724M	STUFFING BOX	1

1 - Included in 871-ARM KIT

ITEM	PART NUMBER	DESCRIPTION	QTY
11	H07725M	O-RING, BUNA-N	1
12	H08347M	GASKET, BUNA-N	4
13	H08475	POPPET	1
14	H20144M	GROOVE PIN	2
15	H20342M	DRIVE PIN	1
16	H20345RE	SHAFT	1
17	H20550M	FINGER RING	2

REPAIR KITS

871-ARM KIT

CAM LEVER REPAIR KIT



www.civacon.com ◆ 9393 Princeton-Glendale Road ◆ Hamilton, Ohio, USA 45011 ◆ Phone: (800) 422-2525 ◆ Fax: (800) 421-3297

NOTE: All information subject to engineering and/or other changes. All trade names are copyrighted. Patents Pending. ©2018 Civacon. ©2018 Delaware Capital Formation, Inc. All Rights Reserved. DOVER and the DOVER logo are registered trademarks of Delaware Capital Formation, Inc., a wholly-owned subsidiary of Dover Corporation.

Rev D Apr 2020

DEFINING | WHAT'S NEXT