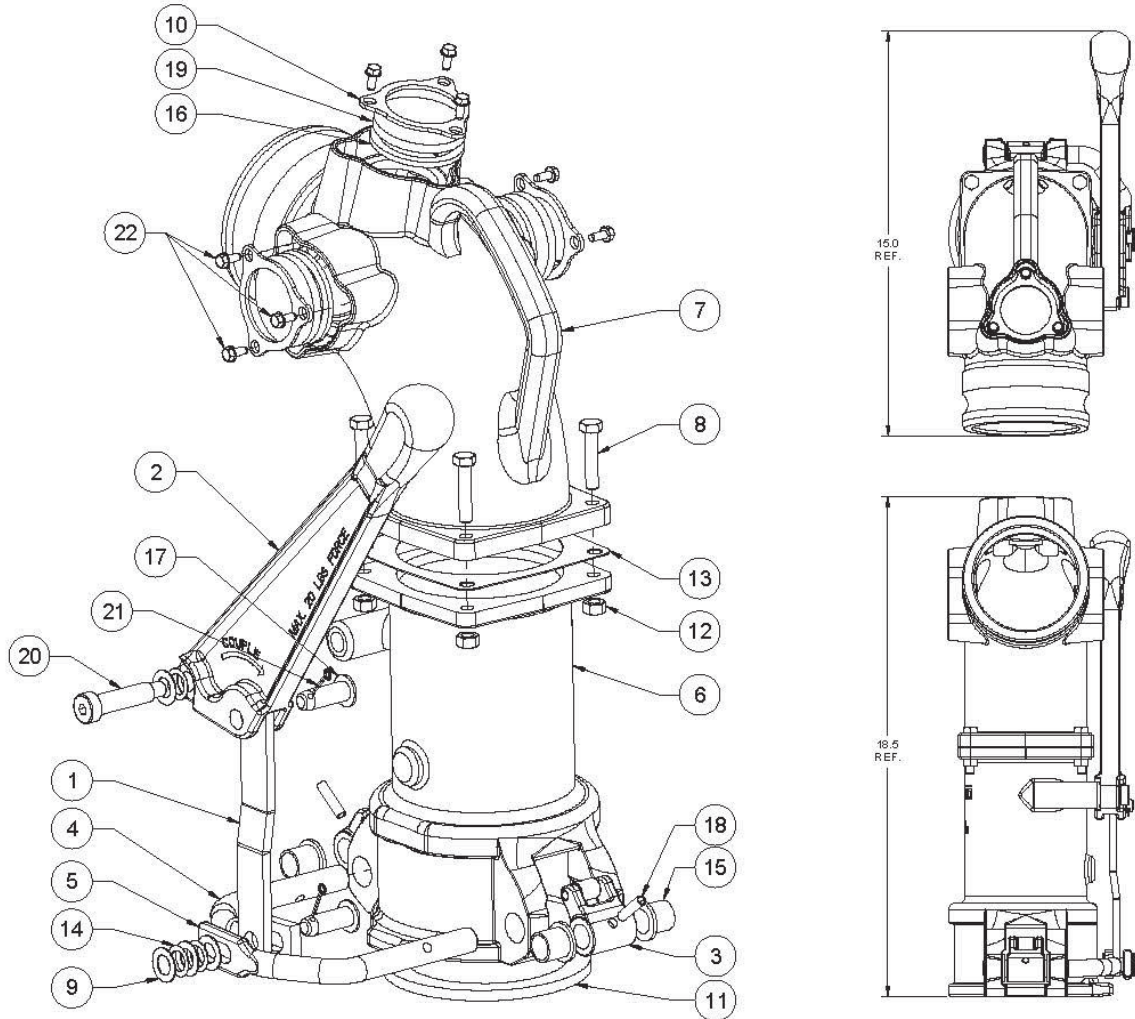


# 60TT 4" Product Delivery Elbow

01-03-001RP



ITEM	PART NUMBER	DESCRIPTION	QTY
1	13608	Linkage	1
2	13609	Handle	1
3	13611	Yoke, Sub-Assembly	2
4	C10143M	Drive Stem, Inner	1
5	C10144M	Drive Stem, Outer	1
6	E00259A	Lower Body	1
7	E00266A	Upper Body, Machined	1
8	H03114M	Bolt, 5/16-24 x 1-1/2"	4
9	H03866M	Washer, Flat, 1/2"	4
10	H04135M	Retaining Plate	3
11	H04137M	Gasket	1

ITEM	PART NUMBER	DESCRIPTION	QTY
12	H06151M	Nut, 5/16-24	4
13	H10039M	Gasket, Fiber	1
14	H10088M	Spring Washer	3
15	H10090M	Flange Bearing	4
16	H20010M	Gasket, Buna-N	3
17	H20373M	Clevis Pin, 1/2" SS	2
18	H20476M	Spirol Pin, 1/4" SS	2
19	H20583M	Sight Glass	3
20	H51427M	Shoulder Bolt	1
21	H51787M	Cotter Pin	2
22	H52471M	Screw, Self Tapping	9

REPAIR PARTS	DESCRIPTION
E00266	Upper Body Assy, w/ Windows
60TTK	Yoke Assembly Replacement Kit

REPAIR PARTS	DESCRIPTION
60WRK	Window Replacement Kit
60TRK	Handle/Linkage Replacement Kit



www.civacon.com ◆ 9393 Princeton-Glendale Road ◆ Hamilton, Ohio, USA 45011 ◆ Phone: (888) 526-5657

NOTE: All information subject to engineering and/or other changes. All trade names are copyrighted. Patents Pending. ©2018 Civacon. ©2018 Delaware Capital Formation, Inc. All Rights Reserved. DOVER and the DOVER logo are registered trademarks of Delaware Capital Formation, Inc., a wholly-owned subsidiary of Dover Corporation.

RevB Jun 2024

DEFINING | WHAT'S NEXT